



QUICK MANUAL EVA-AA-74 RC

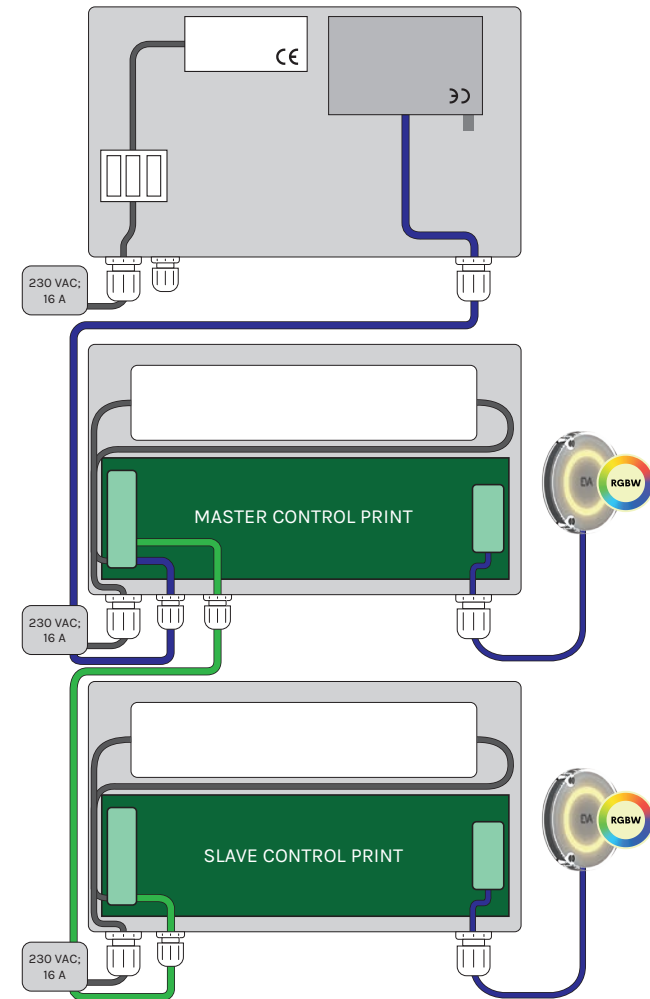
A step-by-step guide for operating the EVA LED underwater lighting and the EVAstream with the remote control

TABLE OF CONTENTS

1	Connect EVA-AA-74 RC to EVA LED underwater lighting (without EVAstream)	3
1.1	PCB Settings	4
1.2	Electrical connections	5
1.3	Functions	6
2	Connect EVA-AA-74 RC to EVAstream	7
2.1	PCB Settings	8
2.2	Electrical connections	9
2.3	Functions	10
	Optional: Connect the Antenna to EVA-AA-74 RC	11

1. CONNECT EVA-AA-74 RC TO EVA LED UNDERWATER LIGHTING (WITHOUT EVASTREAM)

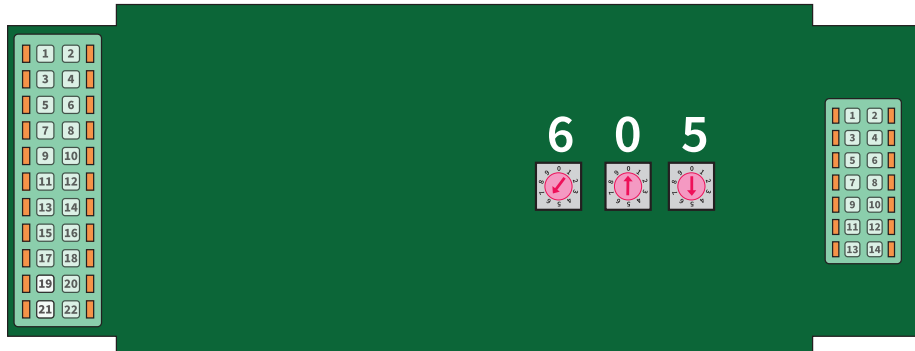
To control the EVA underwater lighting with the EVA Remote Control, connect the EVA-AA-74 RC to the EVA LED underwater lighting (4+2 channel LED driver).



1.1 PCB Settings

In this case the first EVA LED underwater light is the master control (605).
The next EVA LED underwater lighting PSU's must be set in slave mode.

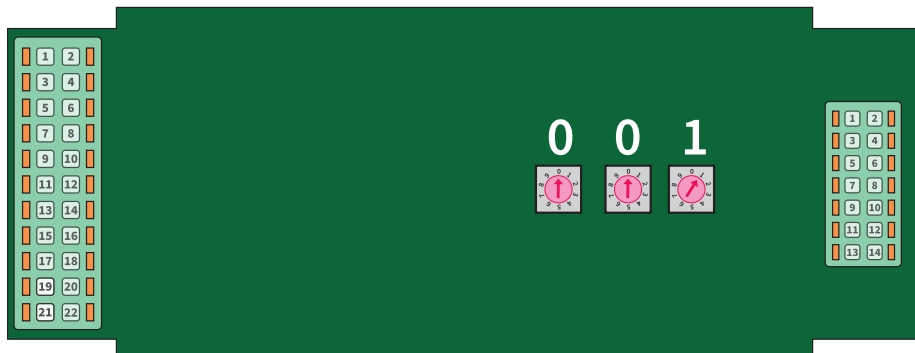
First EVA LED underwater light PSU



Setting the Control Print:

Set the Rotary switches at **605 (Master mode)**

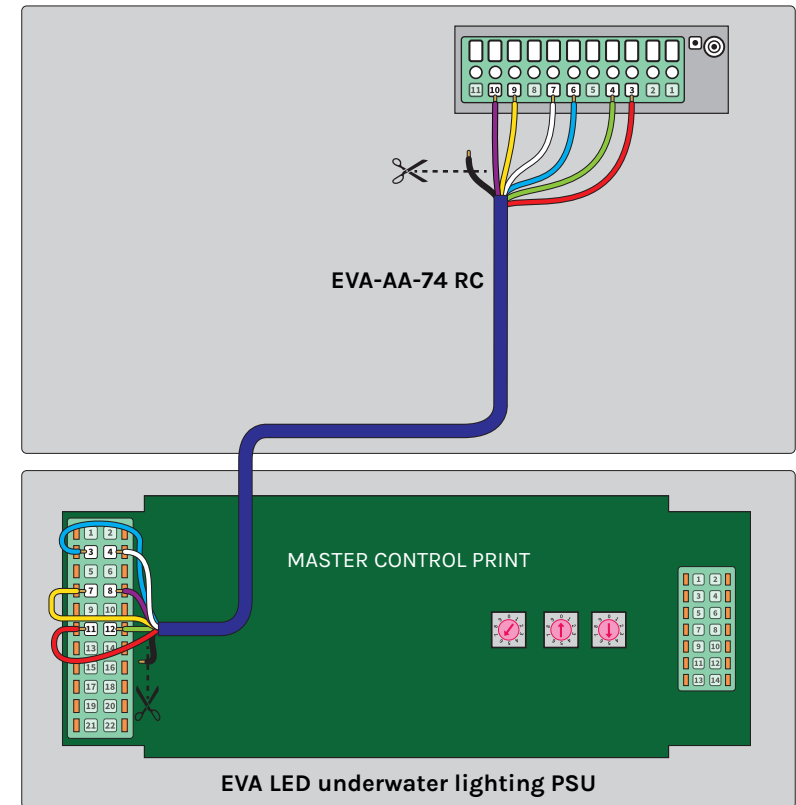
Next EVA LED underwater lighting PSU's



Setting the Control Print:

Set the Rotary switches at **001 (Slave mode)**

1.2 Electrical connections



Cable connection

Connect the 7 wired cable from the EVA-AA-74 RC (3,4,6,7,9,10) to the Master Control Print of the EVA underwater lighting PSU (11,12,3,4,7,8) on the indicated numbers.

Connect the EVA underwater lighting PSU's to each other using DMX cable

- Connect the DMX-cable (2-wires + shield) to the Control Print on the left side of the PSU on the indicated numbers (14,16,18).
- Connect the same DMX-cable to the Control Print on the left side of the following PSU on the indicated numbers (13,15,17).
- Repeat this for all PSU's (13-14: Shield, 15-16: DMX-, 17-18: DMX+).

1.3 Functions

Remote control

When the rotary switches of the first EVA LED underwater light are set to 605, the Remote Control has the following functions:



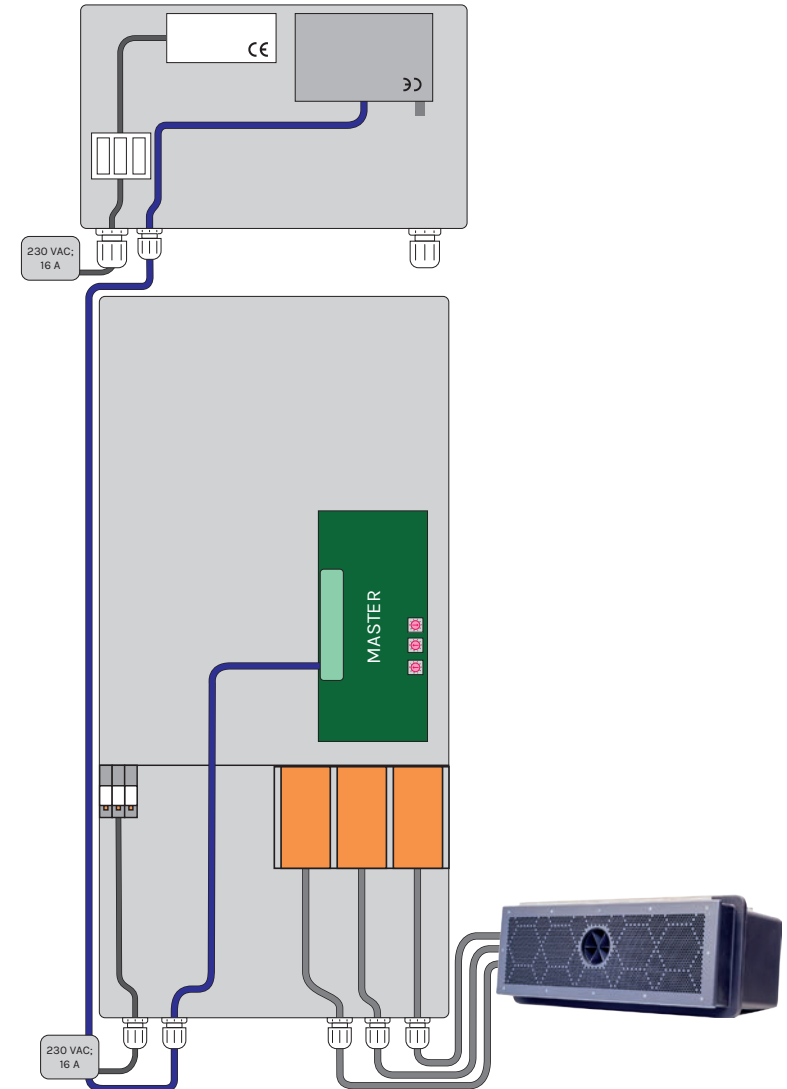
- ON/OFF button On/off EVA LED underwater lights
- Button + Change Light Scene +
- Button - Change Light Scene -

9 light scenes included:

White/ Sky Blue/ Blue/ Mediterranean/ Green/ Red/ Purple/ Colour
Show Fade/ Colour Show Jump

2. CONNECT EVA-AA-74-RC TO EVASTREAM

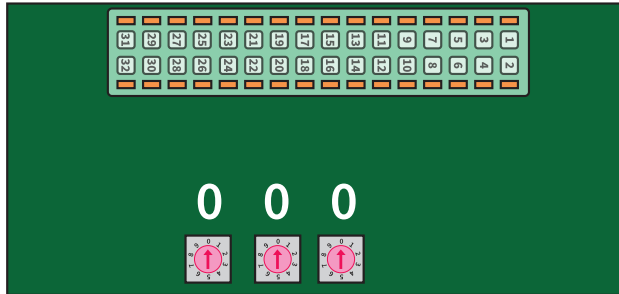
To control the EVAstream with the EVA Remote Control connect the EVA-AA-74 RC to the EVAstream.



2.1 PCB Settings

In this case the EVAstream is the master control. The ECA Print of the EVAstream must be set in master mode

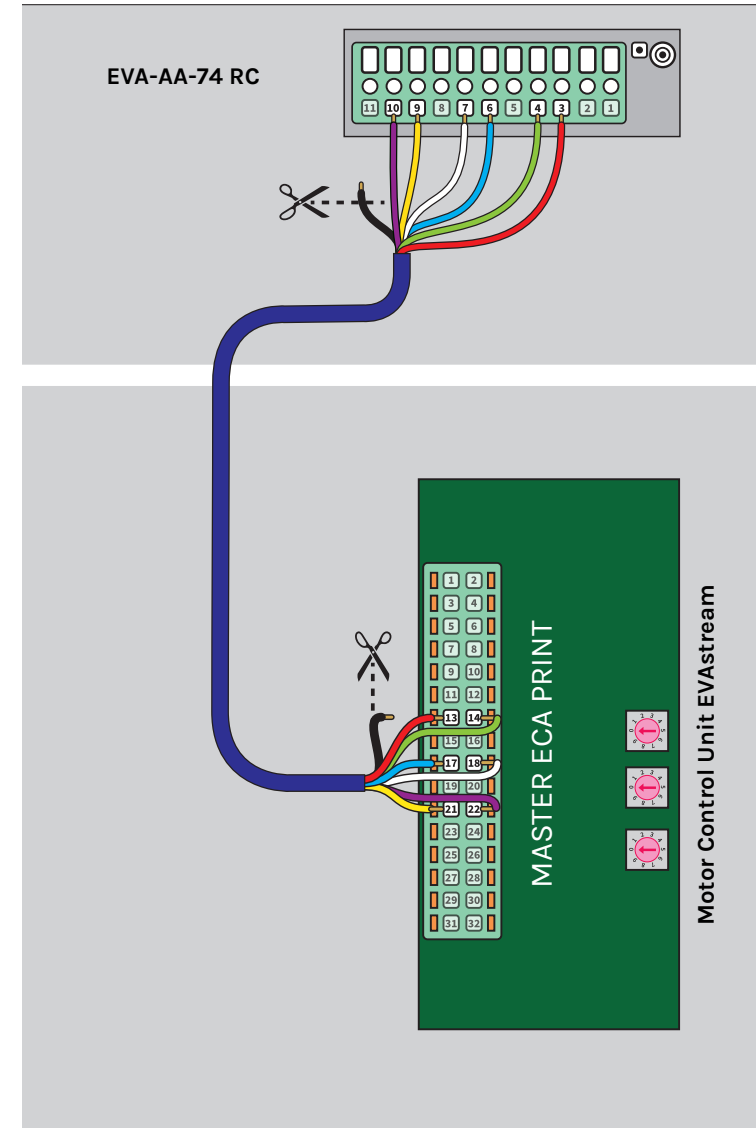
EVAstream



Setting the ECA Print:

Set the Rotary switches at **000 (Master mode)**

2.2 Electrical connections



Cable connection

Connect the 7 wired cable from the EVA-AA-74 RC (3,4,6,7,9,10) to the ECA Print of the EVAstream MCU (13,14,17,18,21,22) on the indicated numbers.

2.3 Functions

Remote control

When the rotary switches of the EVAstream are set to 000, the Remote Control has the following functions:



ON/OFF button	On/off EVAstream
Button +	Short press: increase intensity 5% Long press: increase intensity as long as you press for a stepless increase of in speed
Button -	Short press: decrease intensity 5% Long press: decrease intensity as long as you press for a stepless decrease in speed

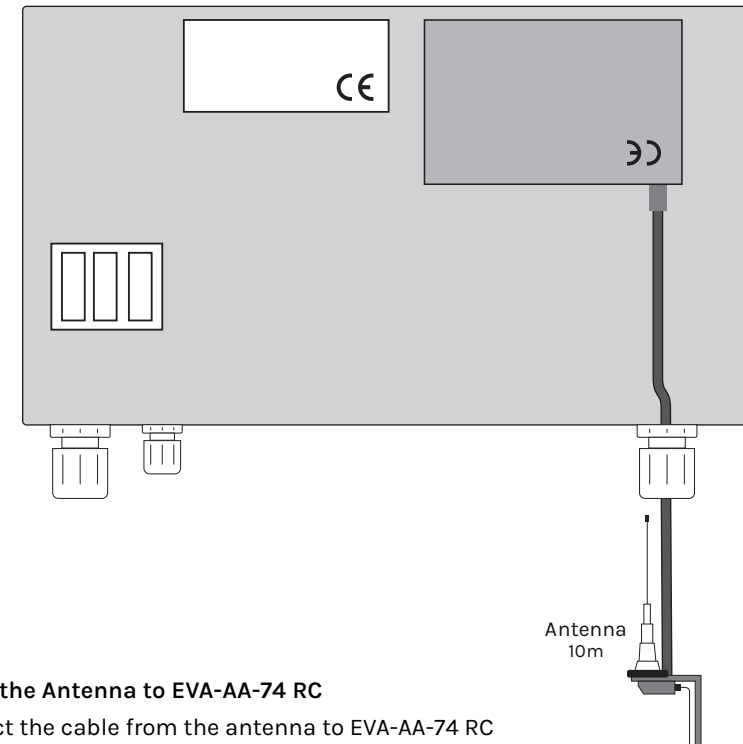
If the remote control is also used for the lighting, the on/off button can be used to switch between controlling the EVAstream and the lighting.

To change: press and hold the on/off button for 2 seconds:

- When you see the white light, the remote starts controlling the EVAstream
- When you see the blue light, the remote starts controlling the EVA LED underwater lighting

OPTIONAL: CONNECT THE ANTENNA TO EVA-AA-74 RC

If the remote control has insufficient range, an antenna must be installed.



Connect the Antenna to EVA-AA-74 RC

- Connect the cable from the antenna to EVA-AA-74 RC



EVA Tech B.V.

De Velde 1

8064 PH Zwartsluis

The Netherlands

+31 (0)38 - 33 75 067

info@evaoptic.com

evaoptic.com